

Fine elements®



CORDLESS JUG KETTLE

Product may differ slightly from that shown

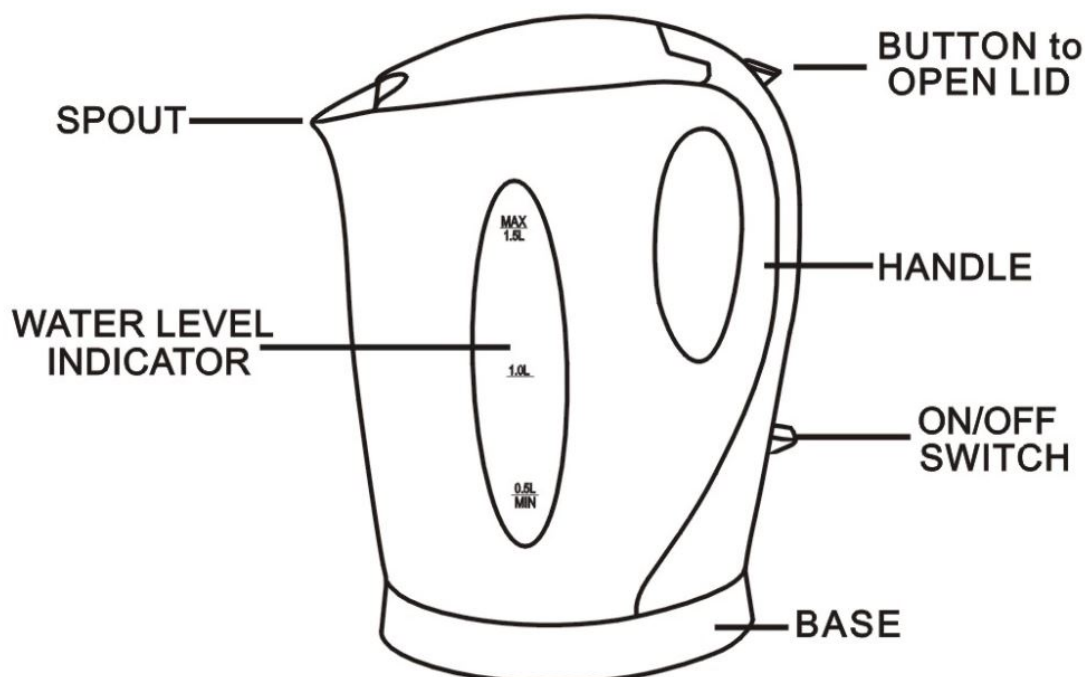
IMPORTANT SAFEGUARDS

When using electrical appliances, basic safety precautions should always be followed. These instructions should be saved for future reference:

- Read and familiarise yourself with all operating instructions before using this Kettle.
- Before plugging your kettle into the mains, visually check that the kettle is intact and has not suffered any transit damage.
- Check that the voltage indicated on the data plate corresponds with that of the local network before connecting the appliance to the mains power supply.
- Do not immerse the appliance, base or its cord in water or any other liquids.
- Close supervision is required when using this appliance near children.
- Never leave this appliance within reach of children.
- This appliance can be used by children aged from 8 years and above if they have been given supervision or instruction concerning use of the appliance in a safe way and if they understand the hazards involved. Cleaning and user maintenance shall not be made by children unless they are older than 8 and supervised. Keep the appliance and its cord out of the reach of children aged less than 8 years.
- Appliances can be used by persons with reduced physical, sensory or mental capabilities or lack of experience and knowledge if they have been given supervision or instruction concerning use of the appliance in a safe way and understand the hazards involved.
- Children shall not play with the appliance.
- Do not leave the appliance unattended during use.
- Do not leave the appliance unattended whilst connected to the mains supply.
- Always use this appliance on a solid, level, non-flammable surface.
- Do not use this appliance outdoors.
- It is imperative to unplug the power cord after the appliance has been used, before it is cleaned and whilst being repaired.
- If the supply cord is damaged, it must be replaced by the manufacturer, service agent or similarly qualified person in order to avoid a hazard.
- Do not operate this appliance after a malfunction or after being dropped or damaged in any way.
- Do not allow the mains cable to hang over sharp edges or come in contact with hot surfaces.
- Do not run the mains cable under carpets, rugs, etc.
- Allow the unit to cool before storage.

- Never place the appliance near to flammable material or high pressure containers.
- This appliance is intended for household use only and should not be used for industrial purposes.
- Do not use any accessories or attachments with this appliance other than those supplied or recommended by supplier – only used the stand provided with this kettle.
- Do not use this appliance for anything other than its intended use.
- Do not push objects into any openings as damage to the appliance and/or electric shock may occur.
- Ensure appliance is situated in an open area, do not allow it to come in contact with cupboards, curtains, wall coverings, clothing or other flammable materials.
- Unplug after each use. Grasp the plug, not the cord.
- Do not cover this appliance.
- Never place this appliance on an electric, gas, or any other type of hob.
- **WARNING:** Do not open the lid while the water is boiling. Never fill the kettle more than its capacity, if the kettle is overfilled, boiling water may be ejected – ensure the water level is between the min and max marks.
- Always close the lid during use.
- **CAUTION:** The outside surface of the kettle will get hot during use.
- Ensure the kettle is switched off before removing it from the base.

Description of parts



Before the first time you use your kettle

- Please read these operating instructions thoroughly and keep them in a safe place for future reference.
- Remove all packaging materials and discard responsibly.
- Before using the kettle for the first time, fill to the max mark and allow it to boil.
- Pour away the boiled water and then repeat the process. If a slight taste or odour remains repeat the above process once more.
- Do not immerse the kettle or its base in water.

Instructions for use

- Place the kettle base on a flat, level, non-flammable surface
- Pull the lid off and fill the kettle with water to the desired level ensuring that it is above the MIN mark and below the MAX mark.
- Replace the lid on the kettle by pushing it closed and place it onto the base.
- Insert the mains plug (with dry hands) into the mains socket and switch on if applicable.
- Push down the power on/off switch which will illuminate the Power Indicator Light and the water will begin to boil.
- At the end of the boiling cycle the power on/off switch will automatically switch off.
- Wait until the water has finished boiling before removing it from the base unit.
- Ensure the lid is correctly closed before pouring boiling water – beware of scalding.

Cleaning your kettle

- Do not clean your kettle in a dishwasher.
- Always disconnect the kettle from the mains power supply before cleaning.
- Wipe clean the outside of the kettle with a soft damp cloth. Never clean any part of the kettle with harsh or abrasive cleaners.
- Do not submerge any part of the base, mains cable or kettle in water or any other liquids.

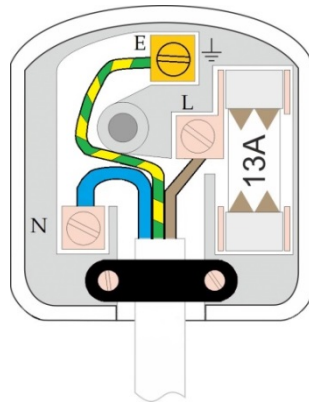
Decalcification of your kettle

- The frequency of the decalcification depends on the hardness of the water in your area and how often the appliance is used
- If the kettle switches off before it boils or has a white deposit building up inside then it probably needs to be decalcified.
- Do not use vinegar but a commercially available decalcification agent; carefully follow the quantities recommended in the instructions of the agent.

Fitting a new plug

The mains lead must be connected as shown below. The wires are coloured with the following code - Brown wire = Live (L), Blue wire = Neutral (N), Green & Yellow = Earth (E).

Connect
Green &
Yellow to
Earth (E)



Connect
Brown to
Live (L)

Connect
Blue to
Neutral
(N)

Ensure the outer sheath of the
mains lead is securely held by the
cable clamp

- The Blue wire must be connected to the terminal marked N or coloured Black.
- The Brown wire must be connected to the terminal marked L or coloured Red.
- The Green & Yellow wire must be connected to the terminal marked E or coloured Green.
- Check that there are no cut or stray strands of wire inside the plug.
- Use a 13 Amp BS 1362 fuse, only use BSI or ASTA approved fuses.
- If you are in any way unsure which plug or fuse to use, always refer to a qualified electrician.
- After replacing or changing a fuse on a moulded plug, the cover must be refitted to the plug; the appliance must not be used without a fuse cover.

Technical Data

Voltage	:	220-240V AC 50/60Hz
Rated power	:	1850 - 2200 W
Capacity	:	1700ml
Model Number	:	SDA1193



Waste electrical products should not be disposed of with household waste. Please recycle where facilities exist. Check with your Local Authority or retailer for recycling advice.



Europasonic (UK) Ltd
Manchester M3 1JS
www.europasonic.com