



# INSTRUCTION MANUAL

## CMST125

### Staffroom Under Counter Fridge freezer



**BEFORE USE, PLEASE READ AND FOLLOW ALL SAFETY RULES AND  
OPERATING INSTRUCTIONS.**

## TABLE OF CONTENTS

<b>REFRIGERATOR SAFETY</b>	<b>3</b>
<b>IMPORTANT GUIDELINES</b>	<b>4</b>
<b>PARTS AND FEATURES</b>	<b>5</b>
<b>IMPORTANT SAFETY INSTRUCTIONS</b>	<b>7</b>
<b>INSTALLATION INSTRUCTIONS</b>	<b>7</b>
BEFORE USING THE REFRIGERATOR	7
INSTALLATION OF THE REFRIGERATOR	8
ELECTRICAL CONNECTION	8
EXTENSION CABLE	8
REVERSING THE DOOR	9
REPLACING THE LIGHT	9
<b>OPERATING THE REFRIGERATOR</b>	<b>10</b>
SETTING THE TEMPERATURE CONTROL	10
<b>CARE AND MAINTENANCE</b>	<b>10</b>
CLEANING THE REFRIGERATOR	10
POWER FAILURE	10
HOLIDAYS	11
MOVING THE REFRIGERATOR	11
ENERGY SAVING TIPS	11
<b>TROUBLESHOOTING GUIDE</b>	<b>12</b>
<b>WIRING DIAGRAMS</b>	<b>13</b>
<b>SPECIFICATIONS</b>	<b>15</b>

## REFRIGERATOR SAFETY

**Your safety and the safety of others are very important.**

We have provided many important safety messages in this manual for your appliance. Always read and obey all safety messages.



This is the Safety Alert Symbol. This symbol alerts you to potential hazards that can kill or injure you and others. All safety messages will follow the Safety Alert Symbol and either the words "DANGER", "WARNING" or "CAUTION".



Danger means that failure to heed this safety statement may result in severe personal injury or death.



Warning means that failure to heed this safety statement may result in extensive product damage, serious personal injury or death.



Caution means that failure to heed this safety statement may result in minor or moderate personal injury, property or equipment damage.

All safety messages will explain the potential hazard, advise how to reduce the chance of injury and what can happen if the instructions are not followed.

## IMPORTANT GUIDELINES



Before the refrigerator is used, it must be properly positioned and installed as described in this manual. To reduce the risk of fire, electrical shock or injury when using the refrigerator, follow basic precautions, including the following:

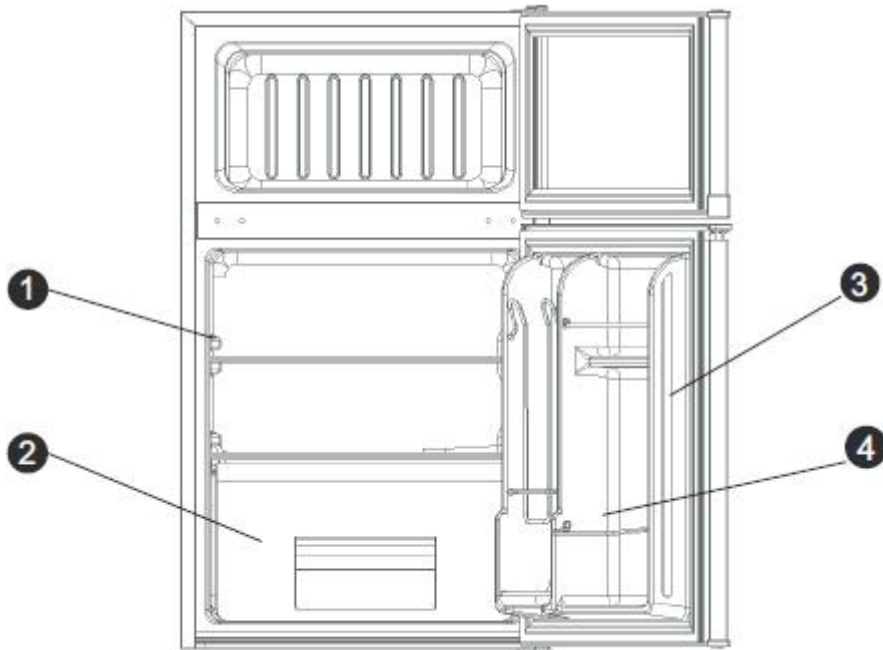
### **DANGER**

- Plug into an earthed 3-prong outlet. Do not remove the earth prong, do not use an adapter and do not use an extension cable.
- It is recommended that a separate circuit, serving only the Refrigerator be provided. Use receptacles that cannot be turned off by a switch or pull chain.
- Never clean Refrigerator parts with flammable fluids. These fumes can create a fire hazard or explosion.
- Do not store or use petrol or other flammable vapours and liquids in the vicinity of this or any other appliance. The fumes can create a fire hazard or explosion.
- Before proceeding with cleaning and maintenance operations, make sure the power cable of the unit is disconnected.
- Do not connect or disconnect the electric plug when your hands are wet.
- Unplug the Refrigerator or disconnect the power before cleaning or servicing. Failure to do so can result in electrical shock or death.
- Do not attempt to repair or replace any part of your Refrigerator unless specifically recommended to do so in this manual. All other servicing should be referred to a qualified technician.

### **WARNING**

- Use two or more people to move and install the appliance. Failure to do so can result in back or other injury.
- To ensure proper ventilation for the appliance, the front of the unit must be completely unobstructed. Choose a well-ventilated area with temperatures above 60°F (16°C) and below 90°F (32°C). This unit must be installed in an area protected from the elements such as wind, rain, water spray or drips.
- This appliance should not be located next to ovens, grills or other sources of high heat.
- The appliance must be installed with all electrical, water and drain connections in accordance with national and local regulations. A standard electrical supply (220~240 V AC only, 50 Hz), properly earthed in accordance with the National Electrical regulations is required.
- Do not kink or pinch the power supply cord of the appliance.
- The fuse (or circuit breaker) rating should be 13A.
- It is important for the appliance to be level in order to work properly. You may need to make several adjustments to level it.
- Check for leaks after connection.
- Never allow children to operate, play with or crawl inside the Refrigerator.
- Although the unit has been tested at the factory, due to transit and storage, clean the unit before first use.
- Do not use solvent-based cleaning agents or abrasives on the interior. These cleaners may damage and/or discolor the interior.
- **THIS APPLIANCE IS NOT INTENDED FOR USE BY YOUNG CHILDREN OR INFIRM PERSONS UNLESS THEY HAVE BEEN ADEQUATELY SUPERVISED BY A RESPONSIBLE PERSON TO ENSURE THAT THEY CAN USE THE APPLIANCE SAFELY. YOUNG CHILDREN SHOULD BE SUPERVISED TO ENSURE THAT THEY DO NOT PLAY WITH THE APPLIANCE.**

## PARTS & FEATURES



1. Removable Shelves
2. Crisper
3. Door Seal
4. Wire bottle rack

## IMPORTANT SAFETY INSTRUCTIONS

<b>⚡ WARNING ⚡</b>	To reduce the risk of fire, electrical shock or injury when using your Refrigerator, follow these basic precautions:
<ul style="list-style-type: none"><li>• Read all instructions before using the appliance.</li><li>• <b>DANGER or WARNING:</b> Risk of child entrapment. Child entrapment and suffocation are potential problems. Discarded or abandoned appliances are still dangerous. Ensure that old appliances are out of reach.</li><li>• <b>Before you throw away your old appliance:</b> remove the door. Leave the shelves in place so that children may not easily climb inside.</li><li>• Never allow children to operate, play with or crawl inside the appliance.</li><li>• Never clean the Refrigerator parts with flammable fluids. The fumes can create a fire hazard or explosion.</li><li>• Do not store or use petrol or any other flammable vapours and liquids in the vicinity of this or any other appliance. The fumes can create a fire hazard or explosion.</li><li>• If the power cable is damaged, it must be replaced by the manufacturer, its service agent or similarly qualified person in order to avoid a hazard.</li></ul> <p style="text-align: center;"><b>- Save these instructions -</b></p>	

## INSTALLATION INSTRUCTIONS

### ➤ Before Using the Refrigerator

- Remove the exterior and interior packing.
- Check to be sure you have all of the following parts:
  - i. An Instruction Manual
  - ii. 2 Shelves
  - iii. 1 Egg Tray
  - iv. 1 Ice Tray
- Before connecting the appliance to the power source, let it stand upright for approximately 2 hours. This will reduce the possibility of a malfunction in the cooling system from handling during transportation and allow the compressor to settle.
- Clean the interior surface with lukewarm water using a soft cloth.

➤ **Installation of the Refrigerator**

- This appliance is designed to be free standing only and should not be recessed or built-in (fully recessed).
- Place the appliance on a flat surface that is strong enough to support it when it is fully loaded. To level the appliance, adjust the levelling legs at the bottom of the unit.
- Allow 125mm of space between the back and sides of the unit which allows sufficient air circulation to cool the compressor.
- Locate the appliance away from direct sunlight and sources of heat (stove, heater, radiator, etc.). Direct sunlight may affect the acrylic coating and heat sources may increase electrical consumption. Extreme cold ambient temperatures may also cause the unit not to perform properly.
- Avoid locating the unit in moist areas.
- Plug the appliance into an exclusive, properly installed, earthed wall outlet. Do not, under any circumstances, cut or remove the third (earth) prong from the power cable. Any questions concerning power and/or earthing should be directed to a certified electrician.
- After plugging the appliance into a wall outlet, allow the unit to cool down for 2-3 hours before placing items in the compartment.

➤ **Electrical Connection**

**⚡ Warning ⚡**

Improper use of the earthed plug can result in the risk of electrical shock. If the power cable is damaged, it must be replaced by a qualified electrician.

This unit should be properly earthed for safety reasons. To minimise the possibility of electrical shock, the power cable of this unit is equipped with a three-prong plug which fits a standard three prong wall outlet.

This unit requires a standard 220~240V AC ~/50Hz electrical outlet with three-prong earth. Have the wall outlet and circuit checked by a qualified electrician to make sure the outlet is properly earthed. When a standard 2-prong wall outlet is encountered, it is your responsibility and obligation to have it replaced with a properly earthed 3-prong wall outlet. **Under no circumstances should this appliance be connected to a 2-prong outlet.**

To prevent accidental injury, the cable should be secured behind the unit and not left exposed or dangling.

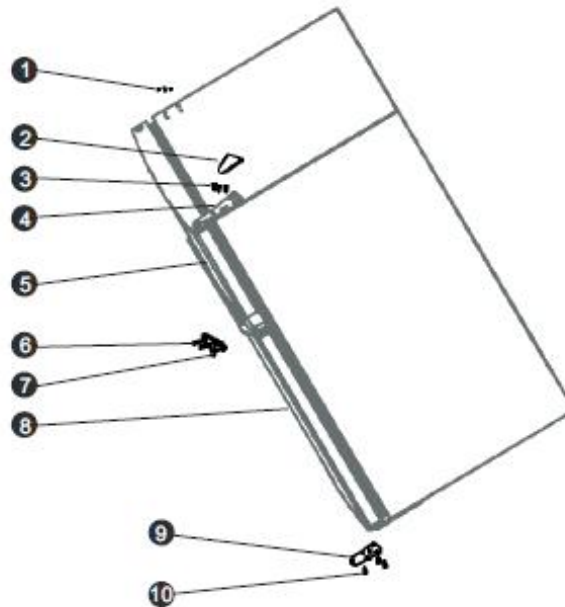
The unit should always be plugged into its own individual electrical outlet which has a voltage rating that matches the rating label on the appliance. This ensures the best performance and prevents overloading of circuits that could cause a fire hazard. Never unplug the unit by pulling the power cable. Always grip the plug firmly and pull straight out from the receptacle. Repair or replace immediately all power cables that have become frayed or otherwise damaged. Do not use a cable that shows cracks or abrasion damage along its length or at either end. When moving the unit, be careful not to damage the power cable.

➤ **Extension Cable**

Because of potential safety hazards under certain conditions, it is strongly recommended that you do not use an extension cable with this unit. However, if you must use an extension cable, it is absolutely necessary that it be a 3-wire earthed type appliance extension cable with an earthed plug and outlet and that the electrical rating of the cable is 220~240V / 13A.

➤ **Reversing the Door**

This refrigerator has the capability of the door opening from either the left or right side. The unit is supplied with the door opening from the left side. Should you desire to reverse the opening direction, please see the following reversal instructions.



1. Remove the screw hole plugs on the top left (1).
2. Remove the upper hinge cover (2) and screws (3).
3. Remove the freezer door (5) and place it to a padded surface to prevent scratching.
4. Remove the mid hinge and screws (6,7)
5. Lift the fridge door and place it to a padded surface to prevent scratching (8).
6. Remove the bottom hinge (9,10) and transfer it to the same location on the opposite side.
7. Remove the hole cover (7) and transfer it to the same location on the opposite side.
8. Place the fridge door on the lower door hinge on the left, then the mid hinge, freezer door and top hinge on the left side.
9. Install the upper hinge cover onto the upper hinge

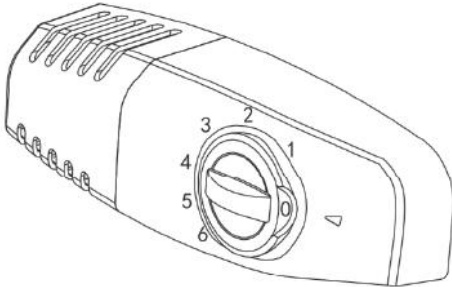
➤ **Replacing the light**

The CMST125 models are fitted with an energy efficient long-life LED light. If the light needs to be replaced this must be done by a qualified engineer. Light spec is E14, 220-240V, 50Hz, 0.8W.



## OPERATING THE REFRIGERATOR

### ➤ Setting the Temperature Control



- The appliance has one control for regulating the temperature. The temperature control is located on the upper right hand of the fridge interior compartment.
- The first time you turn the unit on, adjust the temperature control knob to “6” and run for at least 2 hours before putting items inside. This will ensure the cabinet is thoroughly chilled.
- The range of the temperature control is from position “1” (the warmest) to “6” (the coldest). Adjust the temperature control to the setting that best suits your needs. Setting “4” should be appropriate for home or office use.
- Turning the temperature control knob to “0” position stops the cooling cycle but does not shut off the power to the unit.

### **NOTE:**

- If the unit is unplugged or loses power, you must wait 3-5 minutes before restarting the it. If you attempt to restart before this time delay, the appliance will not operate.
- Large numbers of items will lower the cooling efficiency of the appliance.
- Do not place items on the air outlet and ensure to leave spaces for airflow.
- If you choose to change the thermostat setting, adjust thermostat control by one increment at a time. Allow several hours for the temperature to stabilize between adjustments.

## CARE AND MAINTENANCE

### ➤ **Cleaning the Refrigerator**

- Unplug the appliance and remove all items including shelves and racks.
- Wash the inside surfaces with a warm water and baking soda solution. The solution should be about 2 tablespoons of baking soda to 250ml of water.
- Wash the shelves and racks with a mild detergent solution.
- Rinse well and wipe dry with a clean soft cloth. The external surfaces of the appliance should be cleaned with a mild detergent and warm water.
- Wring excess water out of the sponge or cloth when cleaning the controls or any electrical parts.

### ➤ **Power Failure**

- Most power failures are corrected within a few hours and should not affect the temperature of the appliance if you minimise the number of times the door is opened. If the power is going to be off for a longer period of time, you need to take the appropriate steps to protect the contents of the cooler.

### ➤ **Holidays**

- **Short vacations:** Leave the refrigerator operating during holidays of less than three weeks.
- **Long vacations:** If the appliance will not be used for several months, remove all items and unplug the power cord. Clean and dry the interior thoroughly. To prevent odour and mould growth, leave the door slightly open, blocking it open if necessary.

### ➤ **Moving the Refrigerator**

- Remove all food contents from the unit.
- Secure all loose items inside of the appliance such as the shelves and crisper boxes.
- Turn the adjustable feet up to the base to avoid damage.
- Tape the door shut to avoid damage, the door may swing open if it is not secured shut.
- Be sure the appliance stays in the upright position during transportation.
- Cover the item with a blanket or a similar protective material to prevent surface damage.

### ➤ **Energy Saving Tips**

- The appliance should be located in the coolest area of the room, preferably out of direct sunlight and away from appliances that produce heat. Excessive heat from external sources will have a negative effect on the performance of the appliance.

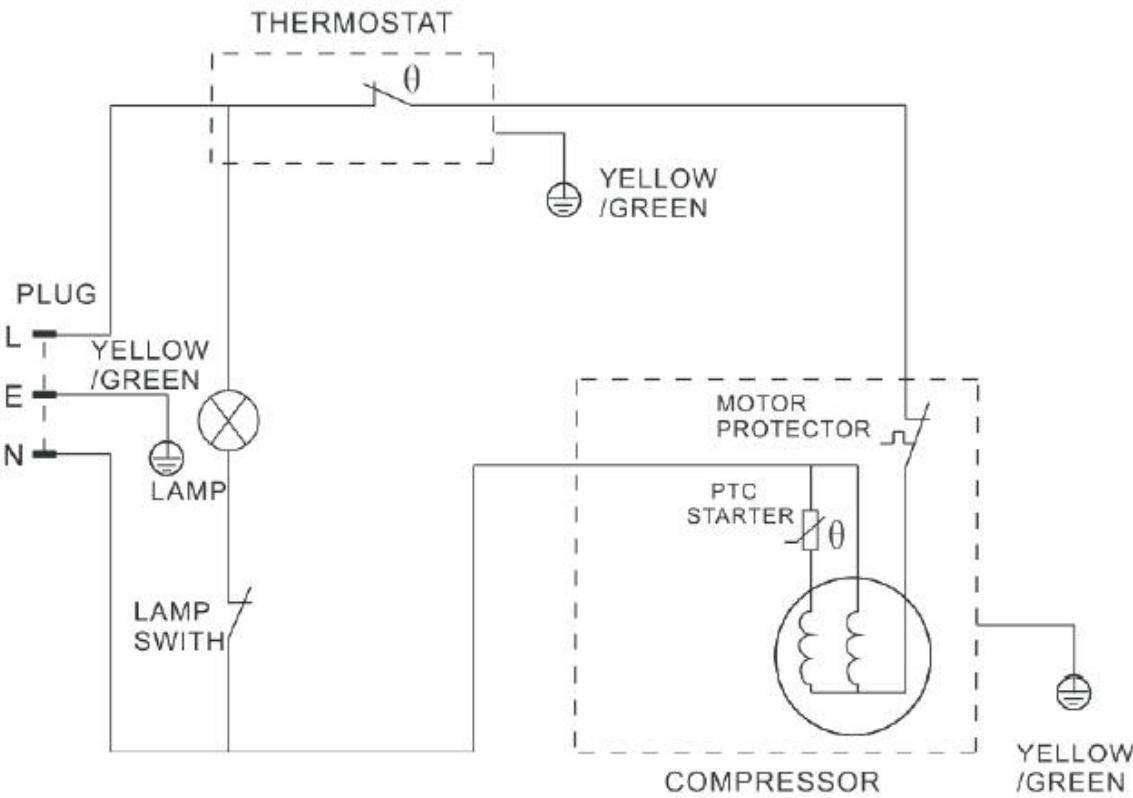
## EXPERIENCING PROBLEMS WITH THE REFRIGERATOR?

Try the suggestions below to see if you can solve the problem before calling the service agent.

### TROUBLESHOOTING GUIDE

PROBLEM	POSSIBLE CAUSE
Refrigerator does not operate.	Not plugged in. Tripped circuit breaker or a blown fuse. The unit temperature control is set to "OFF".
Refrigerator is not cold enough.	Check the temperature control setting. Summer time may require a higher setting. The door is opened too often. The door is not closed completely. The door gasket does not seal properly. The appliance does not have the correct clearances.
Turns on and off frequently.	The room temperature is hotter than normal. The door is opened too often. The door is not closed completely. The temperature control is not set correctly. The door gasket does not seal properly. The appliance does not have the correct clearances.
Vibrations.	Ensure the appliance is level.
The Refrigerator seems to make too much noise.	The rattling noise may come from the flow of the refrigerant which is normal. As each cycle ends, you may hear gurgling sounds caused by the flow of refrigerant in the appliance. Contraction and expansion of the inside walls may cause popping and crackling noises. The Refrigerator is not level.
The door will not close properly.	The appliance is not level. The door was reversed and not properly installed. The gasket is dirty. The shelves are out of position.

# WIRING DIAGRAM



## SPECIFICATIONS

<b>GENERAL INFO</b>	
Model No	CMST125
Color	White
Type of product	Free Standing (metal back)
<b>TECHNICAL DATA</b>	
Total net volume (l)	88
Fridge net volume (l)	62
Freezer net volume (l)	26
No-frost system in fridge	No
No-frost system in freezer	No
Climate class	N-ST
Energy class	A+
Energy consumption per year (kWh/year )	168
Noise level (dB)	41
Power supply voltage	220-240V
Frequency (Hz)	50
<b>FRIDGE EQUIPMENT</b>	
Color of internal equipment	Neutral
Handle type	Recessed
Interior lamp type	LED
Egg tray	Yes
<b>FREEZER EQUIPMENT</b>	
Star rating	4
Ice cube tray	Yes
<b>FEATURES</b>	
Temperature control	Mechanical
Adjustable thermostat	Yes
Thermostat setting range	0-6
Reversible doors	Yes
Adjustable feet (front / rear)	Yes/No
Replaceable door gaskets	Yes
<b>LOGISTIC DATA</b>	
Net Dimension(mm)	845*479*495
Packed Dimension(mm)	875*515*550
Net weight (kg)	23
Gross weight (kg)	25



Please Call for Service

Contact Number 0161 7725666

[support@coolmed.co.uk](mailto:support@coolmed.co.uk)