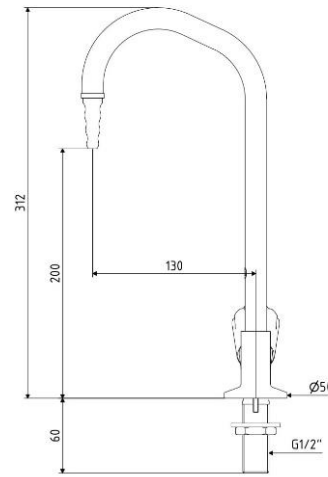




# ARBOLES UK LTD

LABORATORY TAPS, SAFETY SHOWERS AND EYE WASHES



**Part No:** 900101HW-WA Hot water left hand control.

**Description:** Fixed swan neck tap with fixed serrated nozzles.

**Applications:** Standard laboratory water tap for all applications where header tank supply is present (Full WRAS approval)

**Options:** Removable or full-bore nozzles are available on request.

**Construction:** All brass body, Rilsan plastic coated, white (RAL9016).

Chemical resistant plastic ABS handwheel, Identification coding to DIN13792

**Connection and mounting:** ½" BSP male flat ended shank x 60mm long with back nut.

Standard anti-rotation base with location pin. Two mounting holes 22mm and 5mm diameter required template enclosed.

**Pressure and Flow:** Maximum pressure 100PSI (Recommended 20PSI)

Flow Rate @ 20 psi = 12 Litre/min.

**Spares:** Handwheel Assembly: Pt No 960180, valve headwork, Pt No 950148.

Removable nozzle, Pt No 900130

**WRAS:** Approved

## ARBOLES UK LTD

Unit 56 • Flexspace Business Centre • Manchester Road • Bolton • BL3 2NZ T: 0044 (0)1204 388814 F: 0044 (0)1204 388813

sales@arboles.co.uk www.arboles.co.uk

